



TRADI NEO

THE COMPLETE SOLUTION FOR HEADER BOX SYSTEMS

- for header boxes in new builds and renovations
- tailored system component
- simple and fast roller shutter installation
- convenient motor operation
- made from high-quality, durable materials
- Made in Germany

TRADI NEO

COMPLETE SYSTEM COMPONENT FOR HEADER BOXES

The most important points at a glance

- consisting of guide rails, shaft with attachment, control unit and curtain
- simple and fast installation – shaft with curtain and bearing are inserted in the header box and attached onto the guide rails
- for all common window heights
- self-supporting element
- thanks to the innovative shaft mounting, the position of the shaft can be variably adjusted depending on the curtain height
- simple change of operating side thanks to structurally identical components on each side
- special inlet funnel that connects the curtain to the guide rail for easy installation
- 40 mm aluminium guide rail
- end slat with rotating stop plug

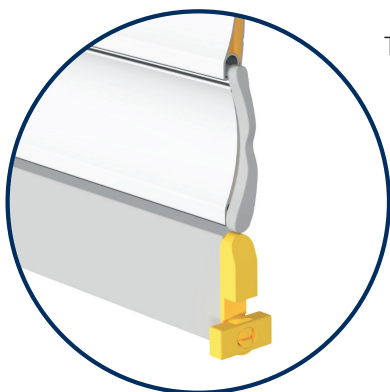


Well-designed components

The **flexible shaft bearing** allows the universal bearings to be fixed in five different positions, depending on the box size and required curtain height. This achieves the highest level of flexibility with a minimum of components, which makes the TRADI NEO unique.

The powder-coated 40 mm **aluminium guide rail** is installed in front of the window in the reveal. The shaft and curtain are already fixed to the bearing plates via the shaft bearing and are inserted into the box as a complete component and fastened there.

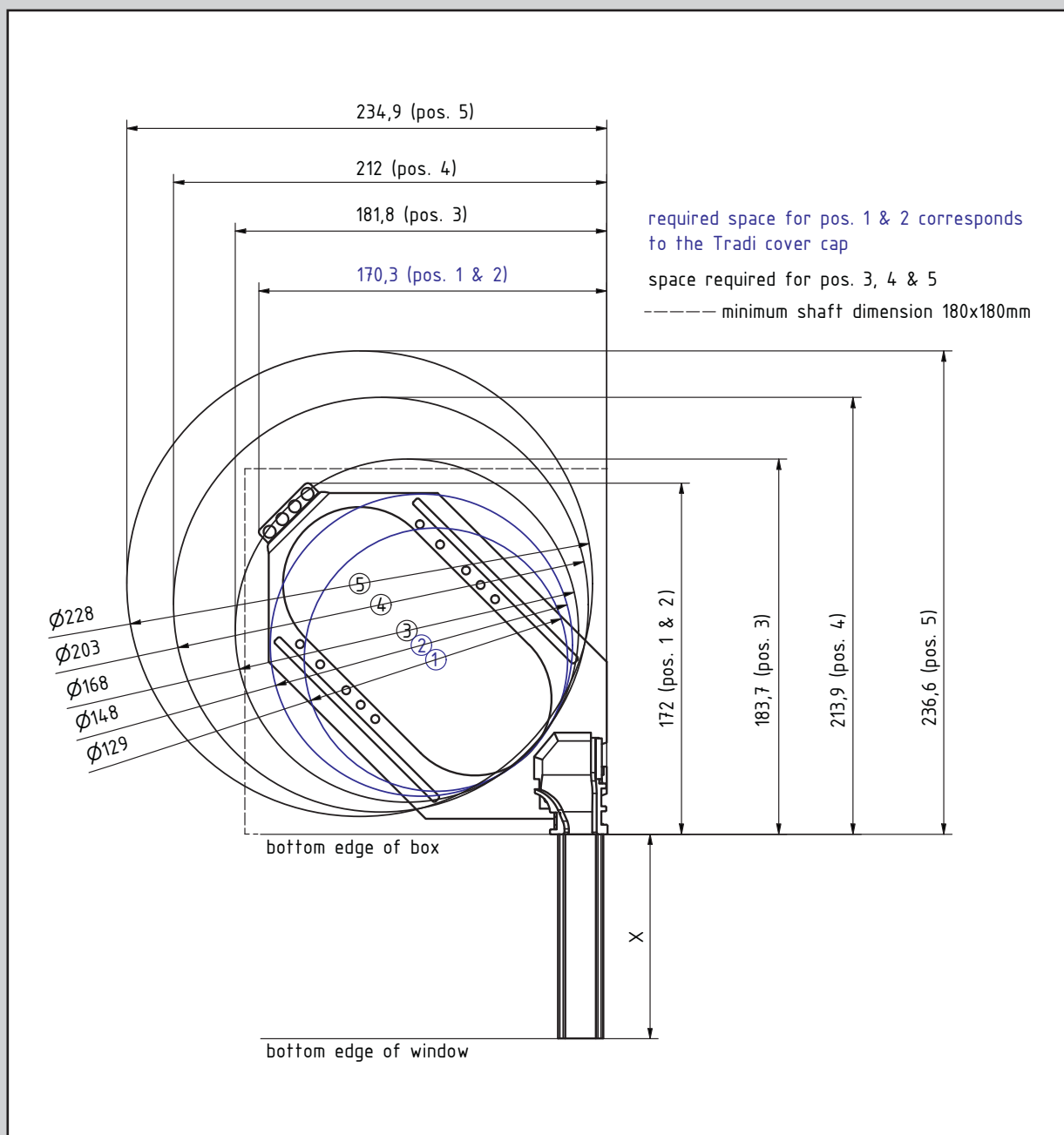
Thanks to this well-designed system, the TRADI NEO is quick and easy to install.



The **extruded aluminium end slat** is also powder-coated and matches the colour of the guide rails. Due to the side-mounted **swivel stops**, the appearance is not affected by stoppers or angled end slats, as they run invisibly in the guide rail. In case of maintenance, the roller shutter curtain can simply be retracted completely into the box.

The **inlet funnel** is easy to install and, if necessary, also easy to replace.

Optimal shaft positioning in the box



Roller shutter profiles for TRADI NEO

Shaft position	Profiles	M317	KM317	MY442	M521	KM521
	Max. bale diameter	Max. window heights				
1	12.9 cm	113 cm	113 cm			
2	14.8 cm	188 cm	188 cm	137 cm	134 cm	134 cm
3	16.8 cm	288 cm	288 cm	187 cm	184 cm	184 cm
4	20.3 cm	438 cm	438 cm	312 cm	284 cm	284 cm
5	22.8 cm	588 cm	588 cm	437 cm	384 cm	384 cm

Roller shutter profiles for TRADI NEO

Profile	M 317 foamed aluminium profile	KM 317 PVC roller shutter profile	MY 442 foamed aluminium profile	M 521 foamed aluminium profile	KM 521 PVC roller shutter profile
Technical data					
Profile blind surface	37,0 mm	37,0 mm	42,0 mm	52,2 mm	52,2 mm
Weight (./ final slat):	2,80 kg/m ²	3,00 kg/m ²	2,85 kg/m ²	3,10 kg/m ²	3,60 kg/m ²
Max. width	290 cm	200 cm	400 cm	380 cm	280 cm
Max. surface	6,5 m ²	3,0 m ²	8,5 m ²	8,5 m ²	4,6 m ²
Profile colours					
	white	white	white	white	white
	light ivory	light ivory	white 9016	light ivory	light ivory
	light beige	light beige	light ivory	light beige	light beige
	santiago grey	santiago grey	light beige	santiago grey	santiago grey
	grey	grey	grey	grey	grey
	cream white	wooden colour	cream white	cream white	wooden colour
	light grey		light grey	light grey	
	velvet grey		naturel	velvet grey	
	naturel		grey aluminium	naturel	
	grey aluminium		DB 703	grey aluminium	
	DB 703		metallic black	DB 703	
	basalt grey		basalt grey	charcoal	
	charcoal		charcoal	moss green	
	concrete grey		quartz grey	velvet brown	
	quartz grey		black-grey	jamaican brown	
	black-grey		deep black	oak	
	deep black		steel blue	teak	
	moss green		fir		
	purple red		velvet brown		
	bronze		jamaican brown		
	dark beige		golden oak		
	velvet brown		teak		
	oak		walnut		
	golden oak				
	teak				



We would be happy to personally inform you about TRADI NEO – ask us about it. Impress your customers even more with a sample element in your showroom. We look forward to hearing from you.